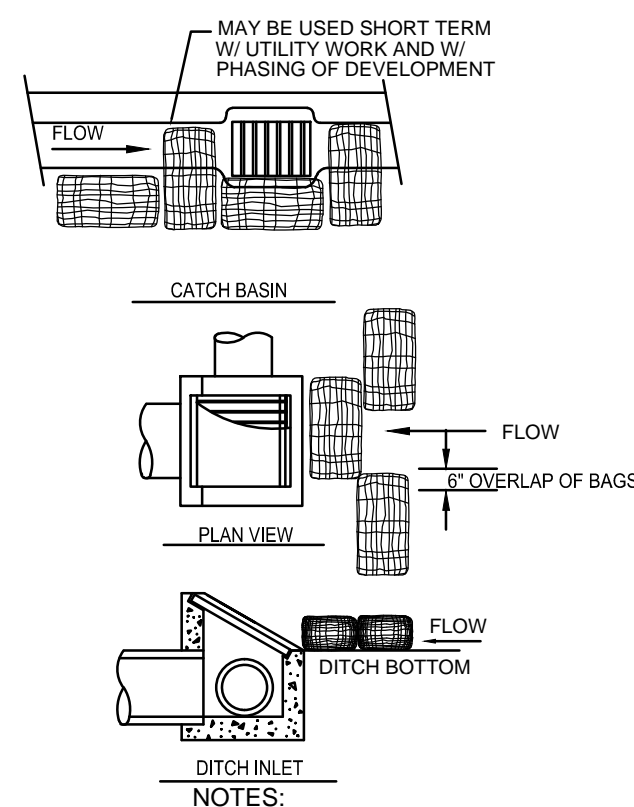
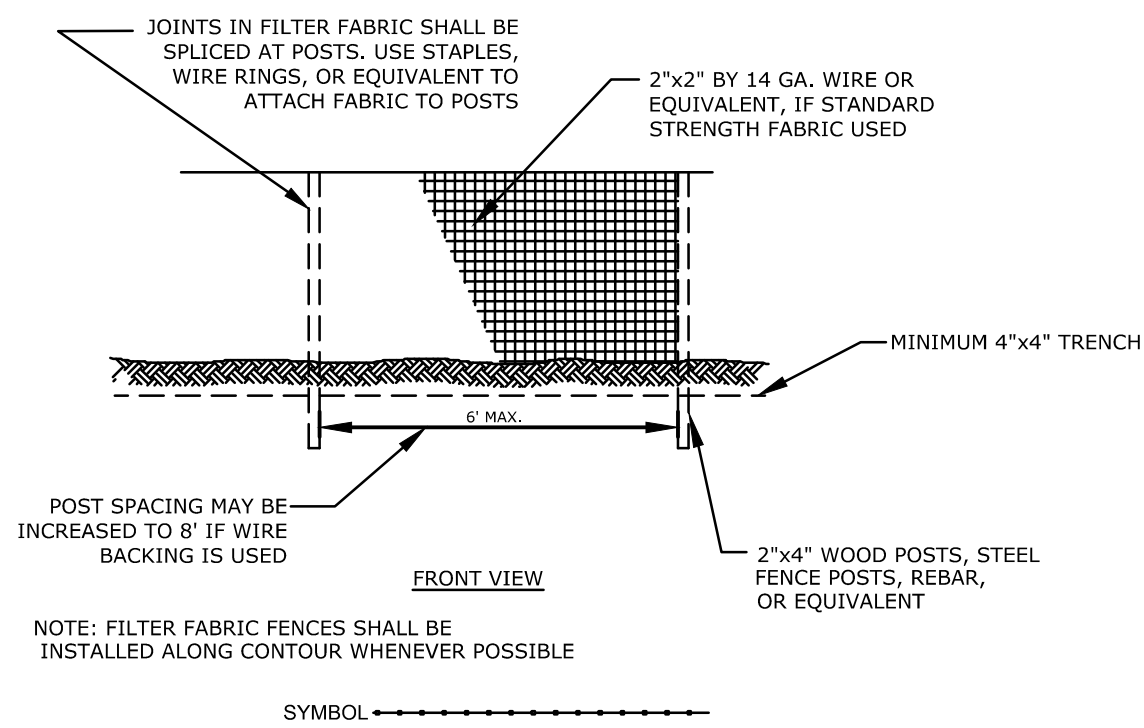


P:\PDX PROJECTS\2017\17-023 Kitsap County Parks - Waterless Restroom\CAD\2-Sheets\Civil\C-02_EXISTING CONDITIONS_DEMOLITION.dwg 9/7/2017 5:09 PM
 COPYRIGHT 2015, AKANA. ALL RIGHTS RESERVED



- NOTES:
- ADDITIONAL MEASURES SUCH AS CATCH BASIN INSERTS MAY BE NEEDED DEPENDING ON SOIL TYPES AND EFFECTIVENESS OF SEDIMENT CAPTURE.
 - BIOFILTER BAGS SHOULD BE STAKED WHERE APPLICABLE USING (2) 1"x2" WOODEN STAKES OR APPROVED EQUAL PER BAG.

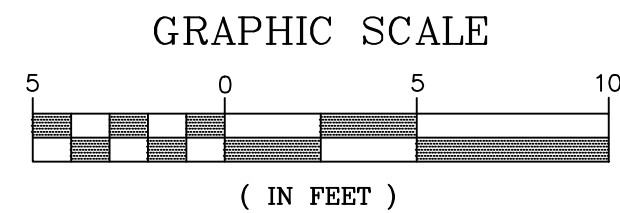
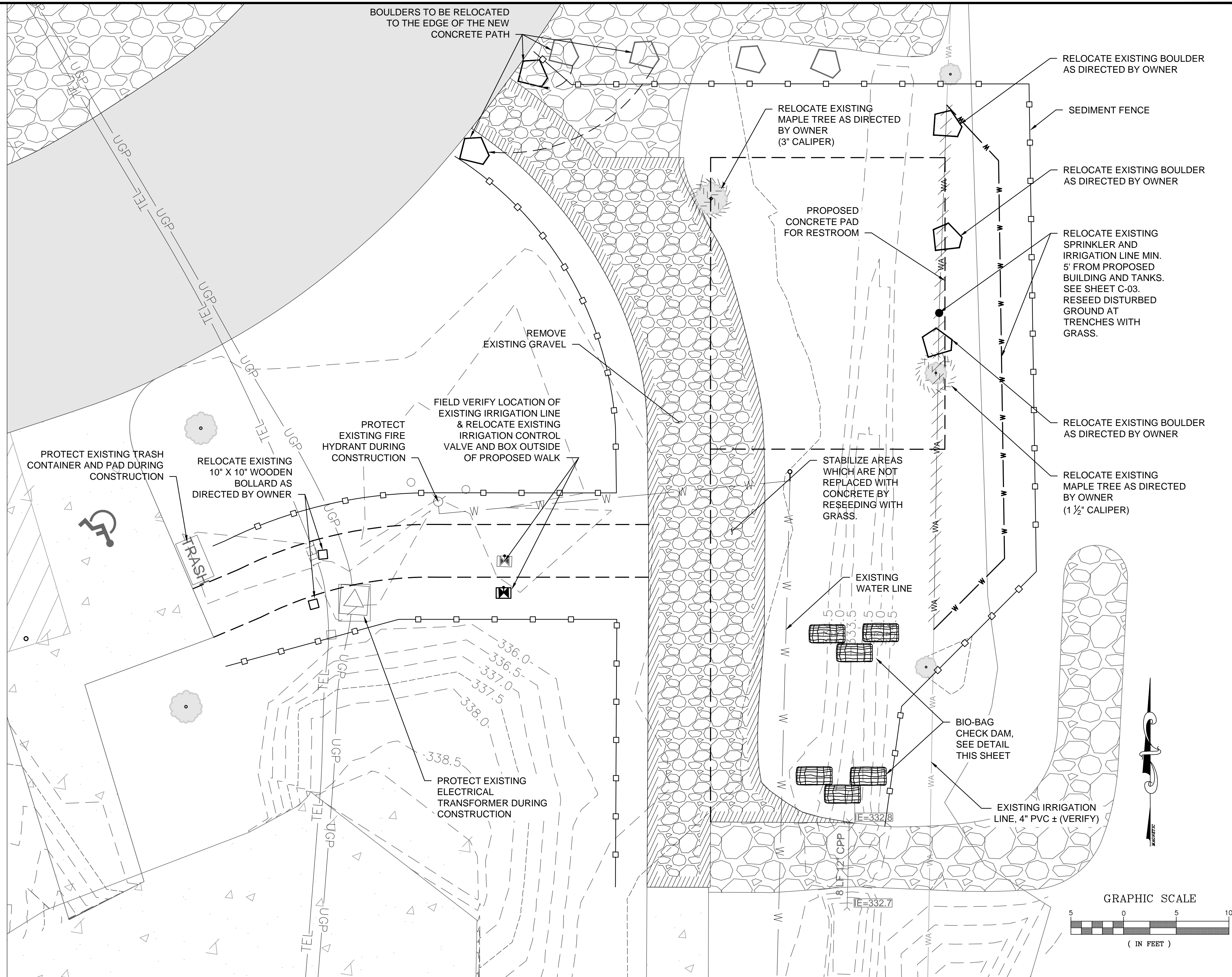
INLET PROTECTION / BIO BAG CHECK DAM
 NTS



SILT FENCE
 NTS

EROSION AND SEDIMENT CONTROL STANDARD NOTES

- APPROVAL OF THIS EROSION AND SEDIMENT CONTROL (ESC) PLAN DOES NOT CONSTITUTE AN APPROVAL OF PERMANENT ROAD OR DRAINAGE DESIGN (E.G. SIZE AND LOCATION OF ROADS, PIPES, RESTRICTORS, CHANNELS, RETENTION FACILITIES, UTILITIES, ETC.).
- THE IMPLEMENTATION OF THESE ESC PLANS AND THE CONSTRUCTION, MAINTENANCE, REPLACEMENT, AND UPGRADING OF THESE ESC FACILITIES IS THE RESPONSIBILITY OF THE APPLICANT/CONTRACTOR UNTIL ALL CONSTRUCTION IS COMPLETED AND APPROVED AND VEGETATION/LANDSCAPING IS ESTABLISHED.
- THE BOUNDARIES OF THE CLEARING LIMITS SHOWN ON THIS PLAN SHALL BE CLEARLY FLAGGED IN THE FIELD PRIOR TO CONSTRUCTION. DURING THE CONSTRUCTION PERIOD, NO DISTURBANCE BEYOND THE FLAGGED CLEARING LIMITS SHALL BE PERMITTED. THE FLAGGING SHALL BE MAINTAINED BY THE APPLICANT/CONTRACTOR FOR THE DURATION OF CONSTRUCTION.
- THE ESC FACILITIES SHOWN ON THIS PLAN MUST BE CONSTRUCTED IN CONJUNCTION WITH ALL CLEARING AND GRADING ACTIVITIES, AND IN SUCH A MANNER AS TO INSURE THAT SEDIMENT AND SEDIMENT LADEN WATER DO NOT ENTER THE DRAINAGE SYSTEM, ROADWAYS, OR VIOLATE APPLICABLE WATER STANDARDS.
- THE ESC FACILITIES SHOWN ON THIS PLAN ARE THE MINIMUM REQUIREMENTS FOR ANTICIPATED SITE CONDITIONS. DURING THE CONSTRUCTION PERIOD, THESE ESC FACILITIES SHALL BE UPGRADED AS NEEDED FOR UNEXPECTED STORM EVENTS AND TO ENSURE THAT SEDIMENT AND SEDIMENT LADEN WATER DO NOT LEAVE THE SITE.
- EXPOSED CUT OR FILL AREAS SHALL BE STABILIZED THROUGH THE USE OF TEMPORARY SEEDING AND MULCHING, EROSION CONTROL BLANKETS OR MATS, MID-SLOPE SEDIMENT FENCES OR WATTLES, OR OTHER APPROPRIATE MEASURES.
- LONG TERM STABILIZATION MEASURES SHALL INCLUDE THE ESTABLISHMENT OF PERMANENT VEGETATIVE COVER VIA SEEDING WITH APPROVED MIX. SEE SEEDING NOTES ABOVE.
- THE ESC FACILITIES SHALL BE INSPECTED DAILY AND AFTER EACH STORM EVENT BY THE APPLICANT/CONTRACTOR AND MAINTAINED AS NECESSARY TO ENSURE THEIR CONTINUED FUNCTIONING.
- THE ESC FACILITIES ON INACTIVE SITES SHALL BE INSPECTED AND MAINTAINED A MINIMUM OF ONCE A MONTH OR WITHIN 48 HOURS FOLLOWING A STORM EVENT.
- AT NO TIME SHALL MORE THAN ONE FOOT OF SEDIMENT BE ALLOWED TO ACCUMULATE WITHIN A TRAPPED CATCH BASIN. ALL CATCH BASINS AND CONVEYANCE LINES SHALL BE CLEANED PRIOR TO PAVING. THE CLEANING OPERATION SHALL NOT FLUSH SEDIMENT LADEN WATER INTO THE DOWNSTREAM SYSTEM.
- THESE EROSION AND SEDIMENT CONTROL PLANS ASSUME "DRY WEATHER" CONSTRUCTION. SUPPLEMENTARY WET WEATHER MEASURES SHALL BE IN PLACE AND FUNCTIONING BY NOVEMBER 1 AND REMAIN OPERATIONAL UNTIL APRIL 30TH. SEEDING MEASURES MUST OCCUR BY OCTOBER 15. SUPPLEMENTARY WET WEATHER MEASURES ARE IN ADDITION TO BASE MEASURES. BEFORE REMOVAL OF EROSION CONTROL MEASURES, VEGETATION MUST BE RE-ESTABLISHED. NO ADDITIONAL PAYMENT SHALL BE MADE FOR SUPPLEMENTARY MEASURES.



NO.	DATE	BY	REVISIONS

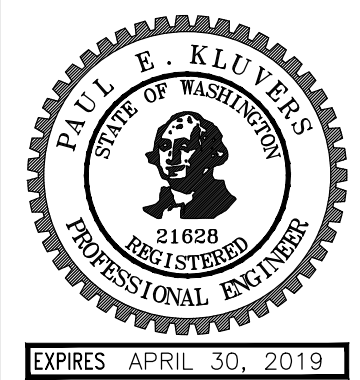
AKANA
 Plan + Design + Engineer + Manage

6400 SE Lake Road, Ste 270
 Portland, Oregon 97222
 Voice (503) 652-9090

KITSAP COUNTY PARKS DEPARTMENT

1195 NW FAIRGROUNDS RD.
 BREMERTON, WA 98311
 360-337-5350

DESIGNED BY	RPK
DRAWN BY	TLH
CHECKED BY	CZ
DRAWING DATE	07/14/2017



**SOUTH KITSAP REGIONAL PARK
 WATERLESS RESTROOM
 EXISTING CONDITIONS
 & DEMOLITION PLAN**

JOB NO. 17-023
 SHEET NO. **C-02**
 2 OF 4